



Cover 1:
Costa Putty

Cover 2:
Flash Spa

Dark Wood Feet

Oslo Collection

Colours represented are to be used as a guide only.
Please refer to manufacturers swatch for a more accurate colour match. 24.08.2017

Please note that colour shadings can vary slightly from each roll of fabric.
We cannot guarantee a precise match to these samples or between cut lengths and upholstered goods.

foamflex™

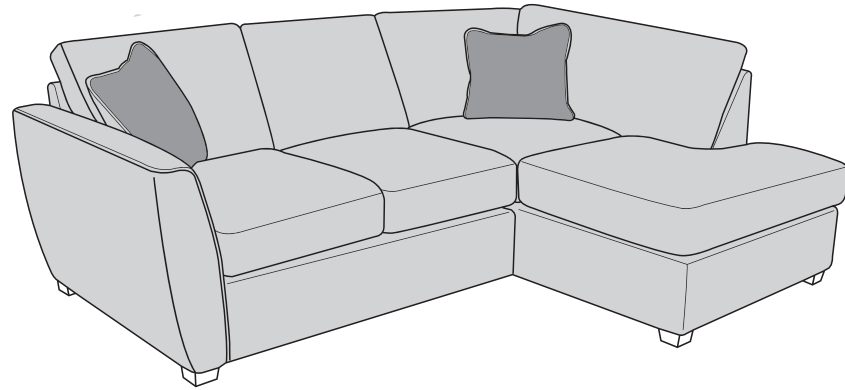
Award Winning Seating Technology

23/07/2021

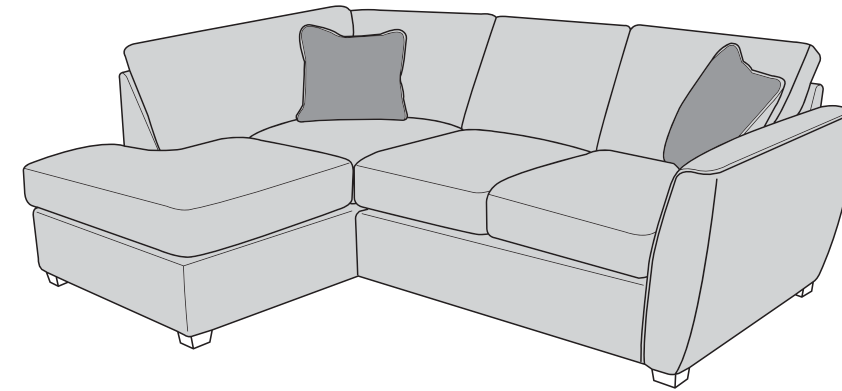
OSLO COVER GUIDE - STANDARD BACK

Please use this guide when ordering the following pieces to clarify cover options.

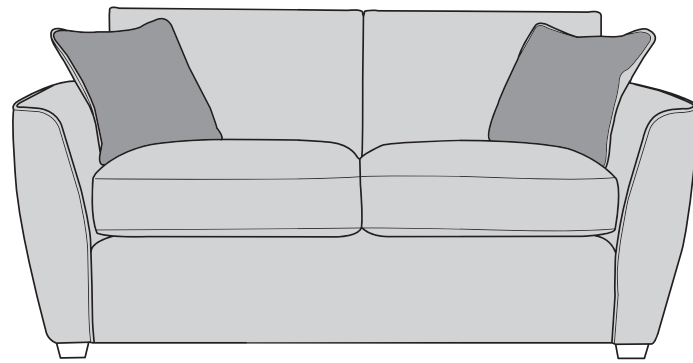
Corner Chaise: LH2, RFC



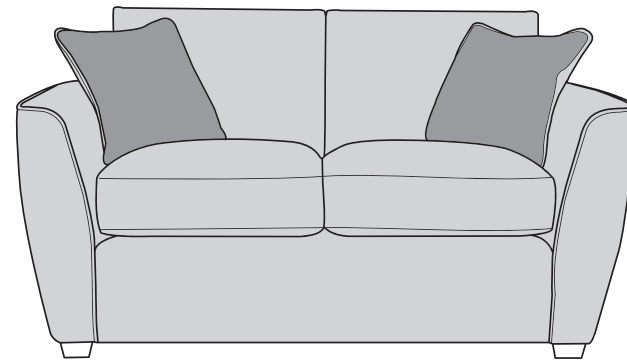
Corner Chaise: LFC, RH2



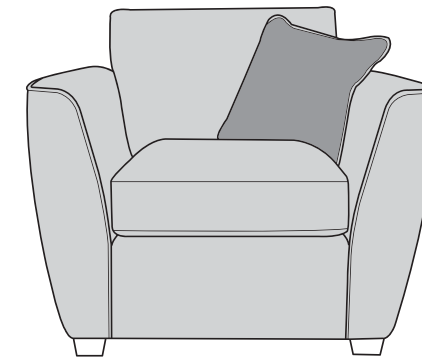
3 Seater Sofa (3ST)



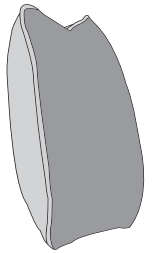
2 Seater Sofa (2ST)



Arm Chair (1ST)



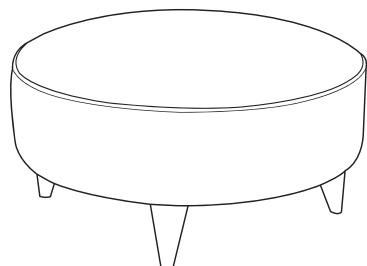
Scatter Cushions



Front = Cover 2
Piping = Cover1
Back = Cover1

ACCENT PIECES

Footstool (Carnival) (FST)



Available in all range fabrics including deluxe



OSLO DIMENSIONS (CM)

AVAILABLE PIECES	HEIGHT 1	OUTBACK HEIGHT	WIDTH 2	DEPTH 3	ARM HEIGHT	SEAT HEIGHT 4	SEAT DEPTH (STD) 5	SEAT WIDTH 6	ACCESS DIAGONAL 7	WEIGHT (KG)	SCATTER CUSHIONS
LH2,RFC GROUP or RH2, LFC GROUP	83	70	228	165	64	50	127	N/A	N/A	82	2
LH2/RH2 UNIT	83	70	133	95	64	50	59	118	162	37.5	1
LFC/RFC UNIT	83	70	95	165	N/A	50	127	53	189	44.5	1
3 SEATER SOFA (3ST)	83	70	175	95	64	50	59	145	218	70	2
2 SEATER SOFA (2ST)	83	70	150	95	64	50	59	120	195	60	2
ARM CHAIR (1ST)	83	70	94	95	64	50	59	62	133	43	1
ACCENT PIECES											
CARNIVAL FOOTSTOOL (FST)	42	N/A	79	79	N/A	N/A	N/A	N/A	79	13	N/A

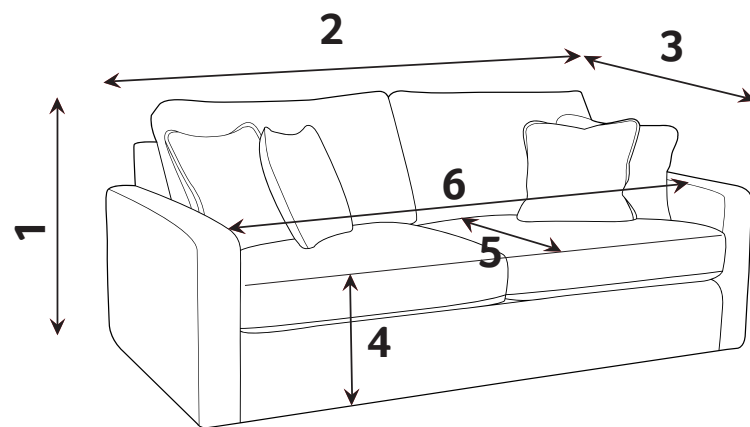


- * Hardwood & composite board frame.
- * Dowelled, screwed, glued & stapled joinery.
- * Light and Dark Wood foot options.

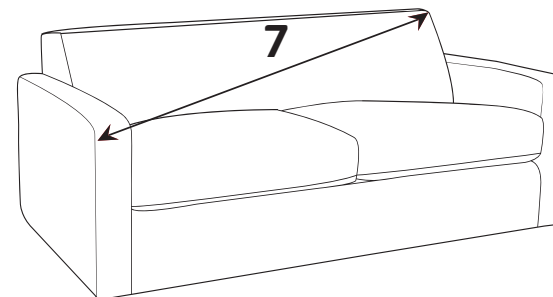
- * Fibre filled scatter cushions included.
- * Award winning Foamflex seat interior with 5 year guarantee.

- * Serpentine seat springs & silent wire.
- * Elasticated back webbing.

DIMENSION GUIDE



Check the diagonal access dimension to ensure furniture will fit in your home.



- 1 - HEIGHT
- 2 - WIDTH
- 3 - DEPTH
- 4 - SEAT HEIGHT
- 5 - SEAT DEPTH (STD & PILLOW)
- 6 - SEAT WIDTH
- 7 - DIAGONAL ACCESS

Illustrations used for reference only.

foamflex™

Our new, expertly engineered foam seat interior gives you the comfort of fibre with the retention of foam. Our foamflex seat interiors have been granted the FIRA GOLD Award, a mark of quality under-pinning all necessary testing of the product materials, design and production techniques.

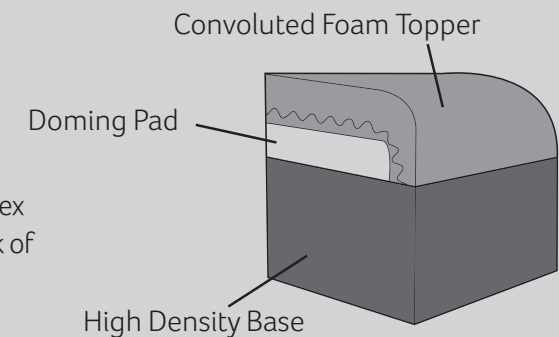
CARE GUIDE

To improve the longevity of your hand-made furniture, we recommend rotating cushions (where applicable).

For further information on maintaining your furniture, please refer to the Care Guide located under the seat platform.



Our foamflex seat interiors have been granted the FIRA GOLD Award, a mark of quality under-pinning all necessary testing of the product materials, design and production techniques.



Beech (Light)

Brown (Dark)

FOOT OPTIONS:



Please note : All dimensions are approximate. Allow tolerance of +/- 2.5cm.

Wood is a natural product and will vary in shade/colour from item to item. Feet may require fitting.



23/07/2021